




- 额定电流最高达 200A  
Rated currents up to 200A
- 三相带中线滤波器  
Three phase and neutral line filter for four wire filtering task
- 适合于星形和三角形的电源网络  
Equally suitable for star and delta power networks
- 两级滤波电路，适用于干扰严重的工业场合  
Double stage filter for high interference environment
- 安规认证: 

#### 特点 Features

- 两级三相四线滤波器，紧凑型设计、具有高衰减性能  
High performance with high attenuation three phase four lines filter, compact design with double stage

#### 应用 Application

- 工业设备、其它需四线的电源设备  
Industrial equipment and other general purpose power equipments which use four lines White goods, single phase industrial equipments, power supply systems and controls
- 适用于大部分的工业马达驱动应用  
The filters are ideal for most motor drive applications

#### 技术参数 Technical Data

额定电压 Rated Voltage	380/440VAC
工作频率 Operation Frequency	50/60Hz
额定电流 Rated Current	6-200A
耐压测试 Hi-pot Test	1750VDC, 2 sec (线对线 Line to Line) 2650VDC 2sec (线对地 Line to Ground)
气候类别 Climate Category	25/85/21 (-25°C to +85°C)
设计参考标准 Design corresponding to	UL 1283, CSA 22.2 No. 8 1986, IEC/EN 60939

#### 电路原理图 Electrical Schematic

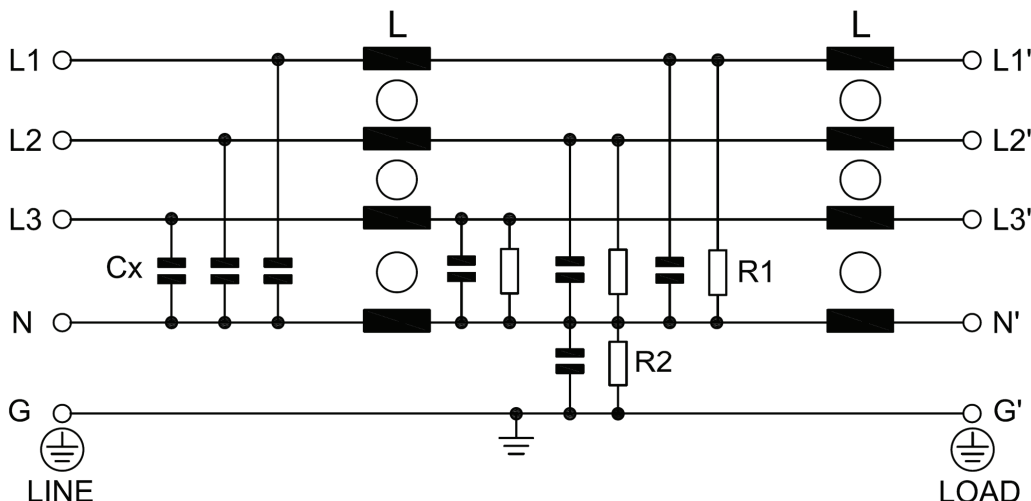
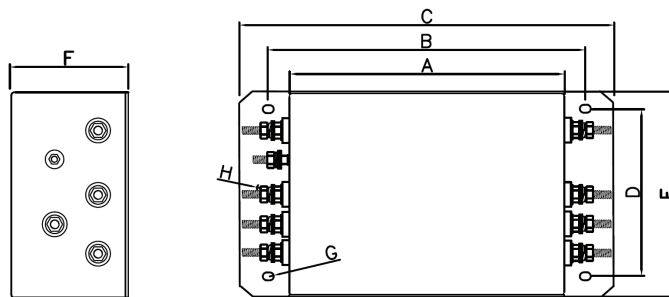


Fig 1

## 选型表 Type Selection Table

型号 Model	额定电流(A) Rated Current	泄漏电流(≤mA) Leakage Current	电路图 Circuit Diagram	外形尺寸 Dim. Fig.	出线端子方式 Output Connection
DF402-6A-01	6	5	Fig 1	N2	M4
DF402-10A-01	10	5	Fig 1	N2	M4
DF402-20A-01	20	5	Fig 1	N5	M4
DF402-30A-01	30	5	Fig 1	N5	M6
DF402-40A-01	40	10	Fig 1	N5	M6
DF402-50A-01	50	10	Fig 1	N5	M6
DF402-80A-01	80	20	Fig 1	N10	M8
DF402-100A-01	100	20	Fig 1	N10	M8
DF402-120A-01	120	40	Fig 1	N10	M8
DF402-150A-01	150	40	Fig 1	N12	M10
DF402-200A-01	200	60	Fig 1	N12	M10

## 外形尺寸 Outline Dimensions(mm)



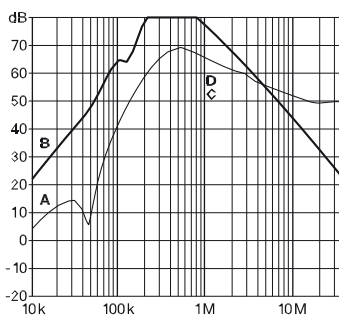
	A	B	C	D	E	F	G	H
N2	110	125	140	70.0	93	56	5,3*7	M4
N5	150	168	186	85.0	105	60	6,4*9	M6
N10	200	220	240	100.0	120	80	6,4*9	M6
N12	260	286	314	140.0	170	107	8,8*14	M8

## 插入损耗 Insertion Loss in dB

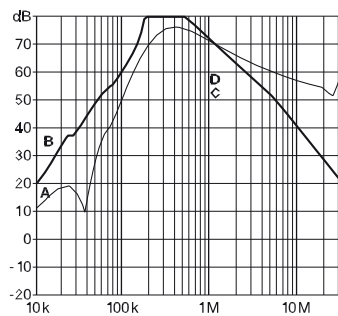
(50Ω/50Ω 环境下插入损耗 Insertion Loss in dB measured in a 50Ω/50Ω system, as IEC/CISPR No. 17 )

A=Differential mode (差模) B=Common Mode(共模)

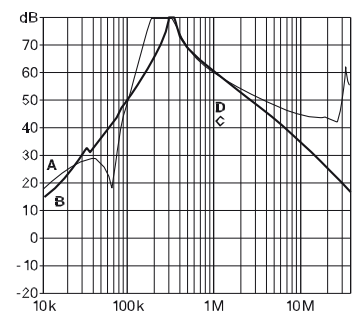
### 6 and 20A types



### 30 and 80A types



### 100 to 200A types



备注：以上规格为公司标准产品，可根据客户产品定制设计产品性能和尺寸外观。

Remark: Customized products are available according to special performance or dimensions requirements

更多产品请登陆官方网站: <http://www.dephir.com>

For more products please go to official website: <http://www.dephir.com>